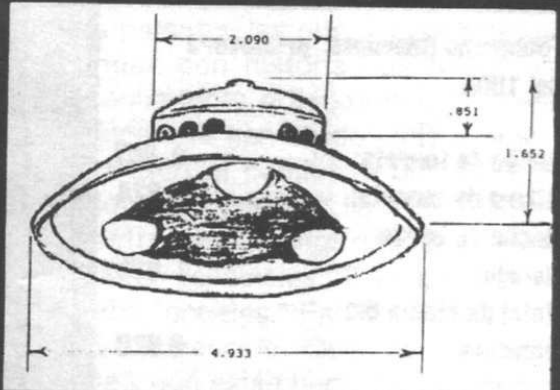
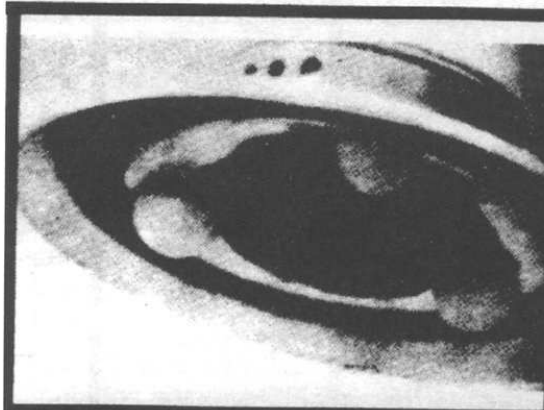
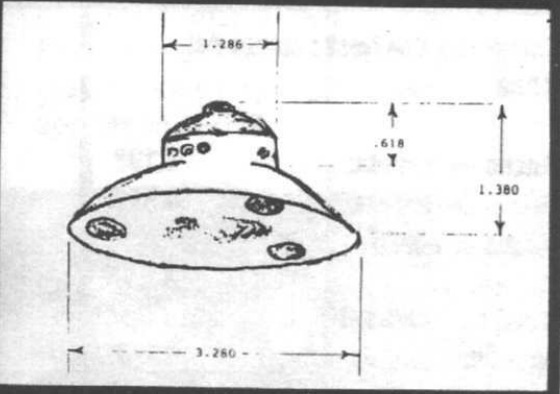
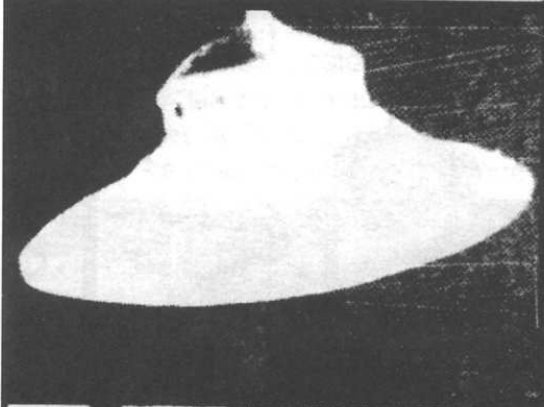


COMPARISON OF PHOTOS -PART I.

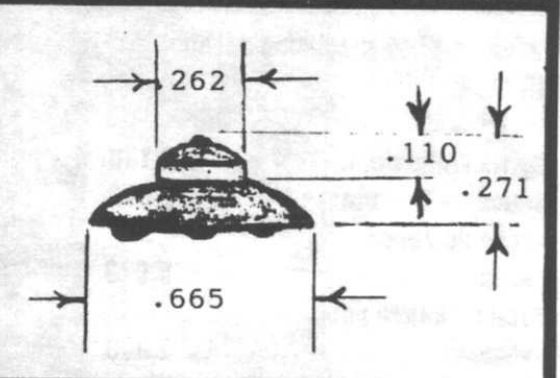
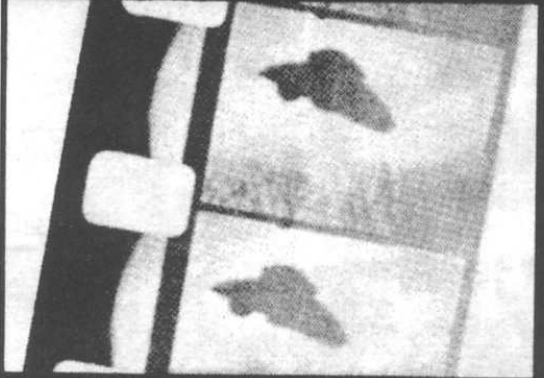
Adamski photo



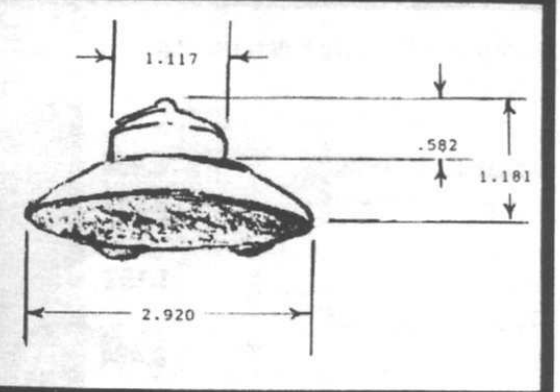
Menger photo



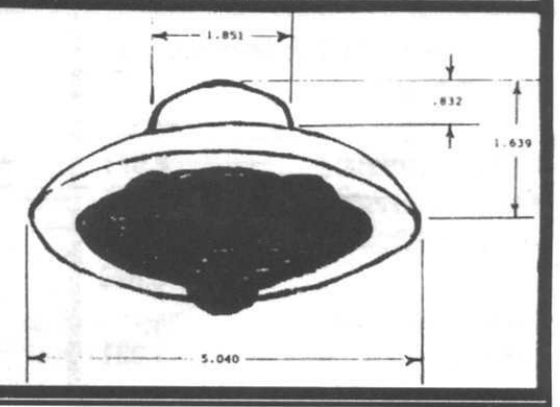
Silver Spring photo



Sheets photo

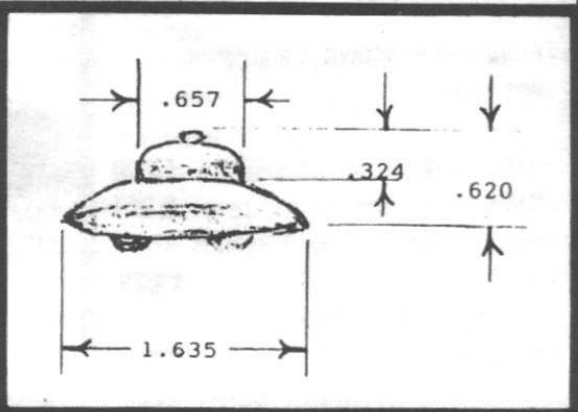
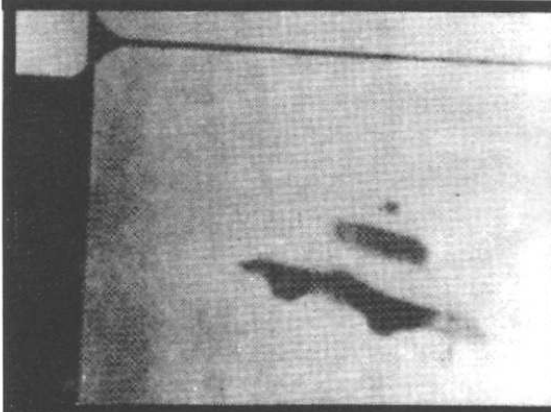


Rosas photo

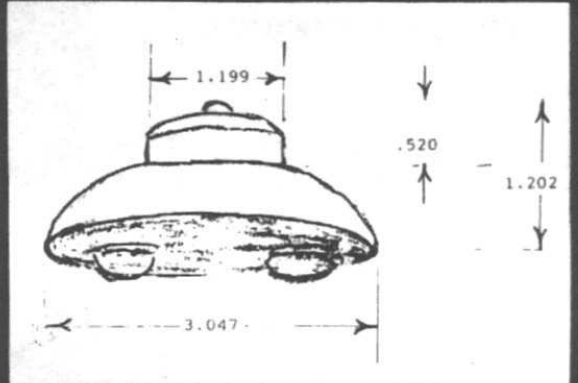
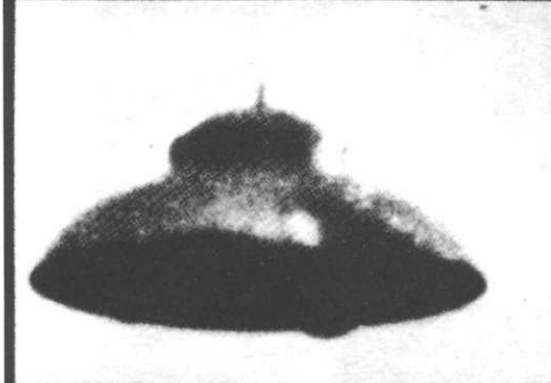


COMPARISON OF PHOTOS -PART II.

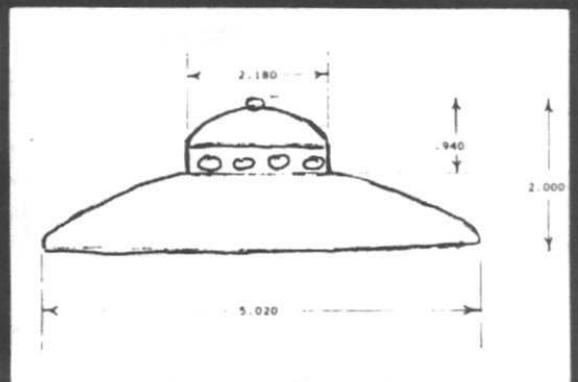
Benedum photo



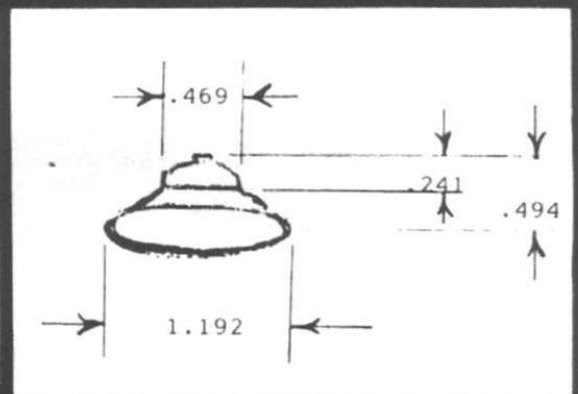
Van Nest photo



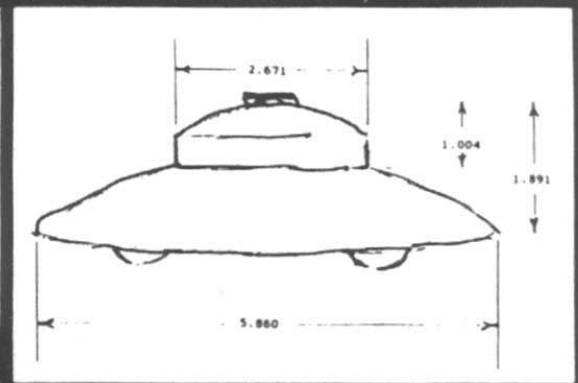
Vega photo



Fujimatsu photo



Darbishire photo



Correlation of cases

Ratio	A/B	A/C	A/D	B/C	B/D	C/D
Adamski photo	2.4559	0.4237	1.2651	0.1725	0.5151	2.9861
Deviation	0.0997	0.0490	0.1776	0.0517	0.0702	0.1238
Menger photo	2.0911	0.3921	0.9319	0.1875	0.4478	2.3768
Deviation	0.0636	0.0292	0.1326	0.0308	0.0696	0.1055
Silver Spring photo	2.3818	0.3940	0.9668	0.1654	0.4059	2.4539
Deviation	0.0665	0.0245	0.1001	0.0907	0.1567	0.0765
Sheets photo	1.9192	0.3825	0.9458	0.1993	0.4928	2.4725
Deviation	0.1406	0.0530	0.1196	0.0957	0.0239	0.0695
Rosas photo	2.2248	0.3677	1.1243	0.1651	0.5076	3.0705
Deviation	0.0038	0.0896	0.0465	0.0924	0.0546	0.1572
Benedum photo	2.0280	0.4018	1.0597	0.1982	0.5226	2.6371
Deviation	0.0919	0.0052	0.0136	0.0896	0.0858	0.0076
Van Nest photo	2.3058	0.3935	0.9975	0.1707	0.4326	2.5349
Deviation	0.0325	0.0257	0.0715	0.0616	0.1012	0.0460
Vega photo	2.3191	0.4343	1.0900	0.1873	0.4700	2.5100
Deviation	0.0385	0.0753	0.0146	0.0297	0.0235	0.0554
Fujimatsu photo	1.9461	0.3935	0.9494	0.2022	0.4879	2.4130
Deviation	0.1286	0.0257	0.1163	0.1116	0.0137	0.0919
Darbishire photo	2.6604	0.4558	1.4125	0.1705	0.5309	3.0989
Deviation	0.1913	0.1285	0.3148	0.0627	0.1031	0.1662
Principal	2.2332	0.4309	1.0743	0.1819	0.4813	2.6572
Average deviation of Principal	8.6%	5.1%	11.1%	7.2%	7.0%	8.9%

Those worlds that are the most parallel or most close to our own world, being almost identical with the Earth, might well contain human beings like us.

Those human beings might have developed a technology that would permit them to transfer or travel to our world. The tools for the technology of voyages between parallel worlds could be the UFOs. Here, then, we have a possible response to the paradox of UFOs crewed by human-type beings. From the point of view of the "many worlds" theory, they could easily exist without violating what we call the laws of Nature.

The question then is - *what are they doing here?* The answer is that nobody really knows. There are no proofs, no real evidence, regarding their motivations and actions in our world. What is certain however, is **THAT THEY ARE HERE.**

Apart from first-person evidence, the references in the Bible abound with stories about humans apparently endowed with magical powers who have lived together with us since the beginning of History. Today we can call them "Extraterrestrials" or "Aliens", or even "Spacemen". *In those earlier days they were called*

ANGELS.

They are HERE - of that I am convinced. I myself have had encounters with this type of UFO and with the human-type beings associated with them.

Who they really are and what they are really doing in our world still remains to be seen. *But let us hope that the human aliens will be as friendly to us as they appear to be!*■

REFERENCES.

1. Interview with Dr. Jacques Vallée. Review OMNI, January 1980.
2. I.S. Shklovskiy and Carl Sagan: *Intelligent Life in the Universe*. Dell Publishing Company, New York, 1966.
3. John Gribbin. *Timewarps*. Delacorte Press/ Eleanor Friede, New York, 1969.
4. James Trefil. *From Atoms to Quarks*, Scribners & Sons, New York, 1980.

CHUPACABRAS WIDESPREAD: THE ENIGMA GROWS. © BY JORGE MARTÍN, Editor of *EVIDENCIA OVNI* (Puerto Rico), and FSR Consultant.

(Translation from Spanish. G.C.) (*EVIDENCIA OVNI* No. 12 (1997))

With every day that passes we receive growing evidence of the presence of this anomalous creature on our planet, and of the fact that the U.S. Military Authorities have known of its reality for decades. In this article we present fresh reports which, combined with the account that we have already given (in *EVIDENCIA OVNI* No. 11) of the revelations made by our confidential informant "Don Ernesto", show clearly that the appearances of these creatures are spreading throughout the world. Read, and form your own opinion. J.M.

In our last issue (*EVIDENCIA OVNI* No. 11) we gave an exclusive account of the revelations made to us in confidence by "Don Ernesto" - a former member of the U.S. Armed Forces who, so he claims, belonged to a 'delicate' working team whose job was connected with the U.S. Army's investigations of crashed UFOs and with the seizure of these machines along with their crews.

He has revealed that in 1960, when engaged in investigating one of these cases, in the area near Roswell, New Mexico (this incident has of course no connection with the famous "Roswell Case" that had occurred in July 1947), he saw three live alien creatures held in captivity in a military establishment. One of them was a tall humanoid of a rather "human" aspect - slim, with a large bald head, with a delicate pale grey skin with faint pink tinge and eyes slightly larger than those of a human, and with a sad expression on its face which was of a reddish-pink shade. The other two creatures, he told me, were similar to what our media here in Puerto Rico call "*Chupacabras*".

As we have already said, that was in 1960, and he learned at that time that the three creatures had apparently been captured in a crashed alien or extraterrestrial craft somewhere in the USA. (He was not informed *where*).

Subsequently, as he told me, he learned further details about the "*chupacabras*", and this time it was in 1970, and in the Republic of Panama, in Central America, when he was sent on a special mission into the jungle there to collect information from the Indians and the Panamanian villagers about strange creatures that were killing their



Sr. Eddie Melvin

animals in some mysterious fashion.

And when he got there and spoke to the villagers and Indians, he was surprised to discover that the creatures they were describing were similar to those that he had seen in the cages, together with the humanoid being, at Roswell, New Mexico, USA, in 1960!

And "Don Ernesto" assured us that these creatures *are* of extraterrestrial origin, and that the U.S. Government knows this, and has known of their presence here among us since 1960 at the least, if indeed not even